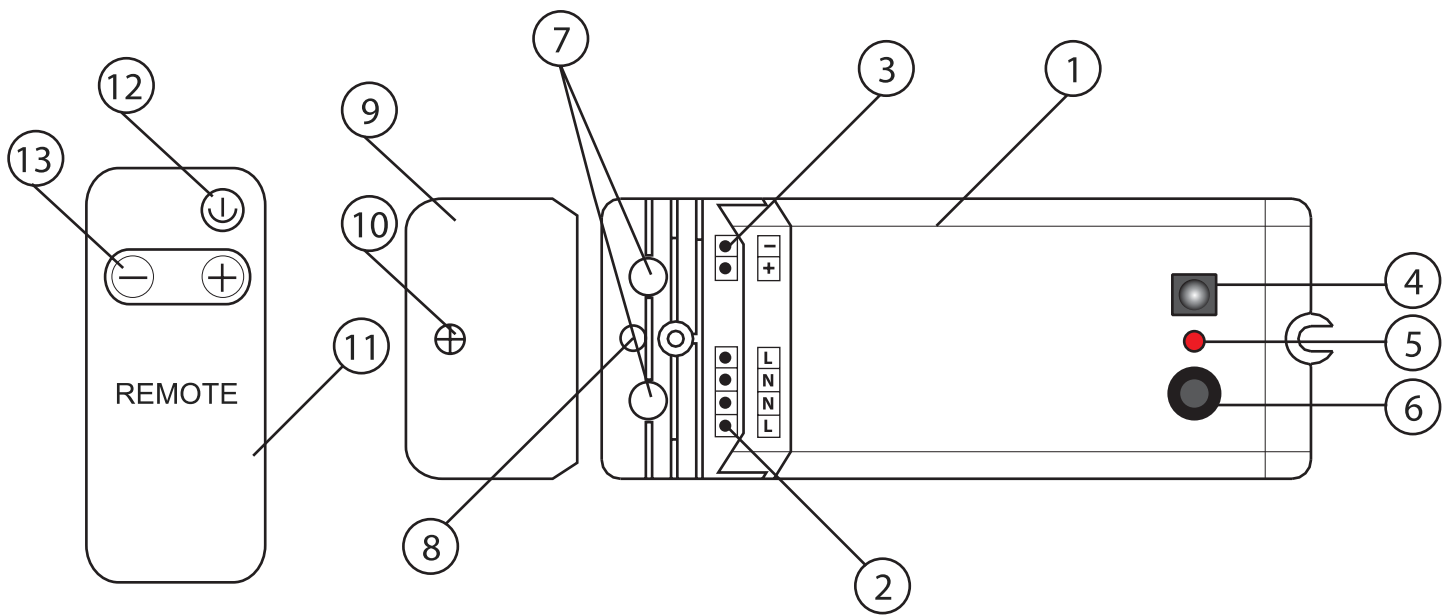
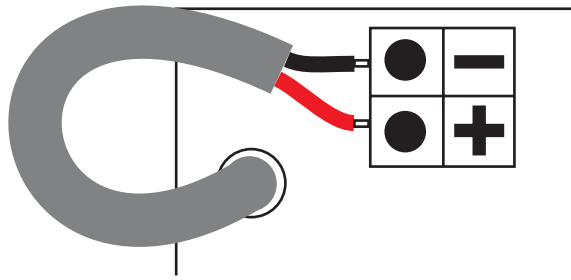


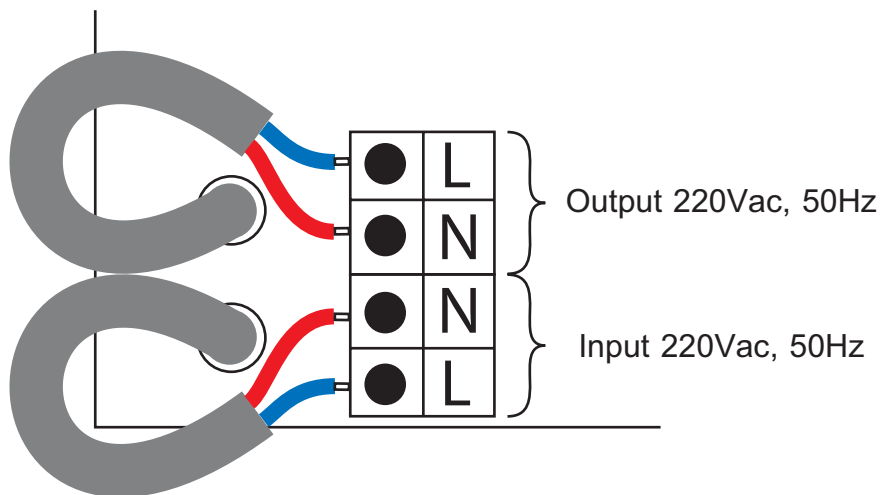
## OPTION



1. Lumi Sense housing.
2. Input and output supply terminal blocks.
3. Output 1...10Vdc control signal terminal blocks.
4. IR receiver.
5. LED operating display.
6. Day light sensor.
7. Hole for cable pass through the ceiling.
8. Hole for fixing screw.
9. Cover cap.
10. Cover locking screw.
11. Remote control.
12. ON/OFF button.
13. Light level up-down button.



2. Connect main supply cable to output 220Vac, 50Hz terminal blocks. and connect the other end to the main input supply 220vac, 50Hz of “ Analog Dimming Ballast ”



3. Connect main input supply cable to the input 220Vac, 50Hz terminal block. ( turn off main circuit breaker or switch off main supply before connect ).



