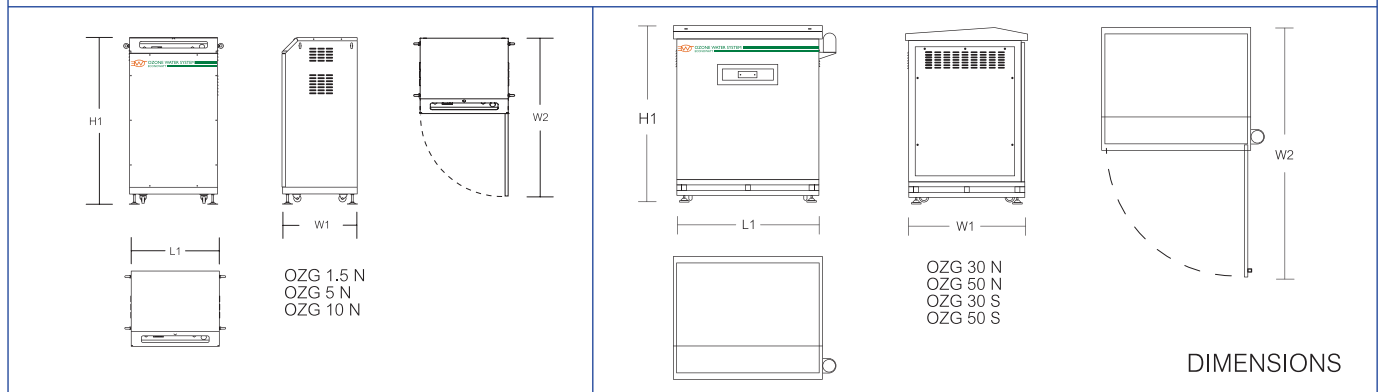
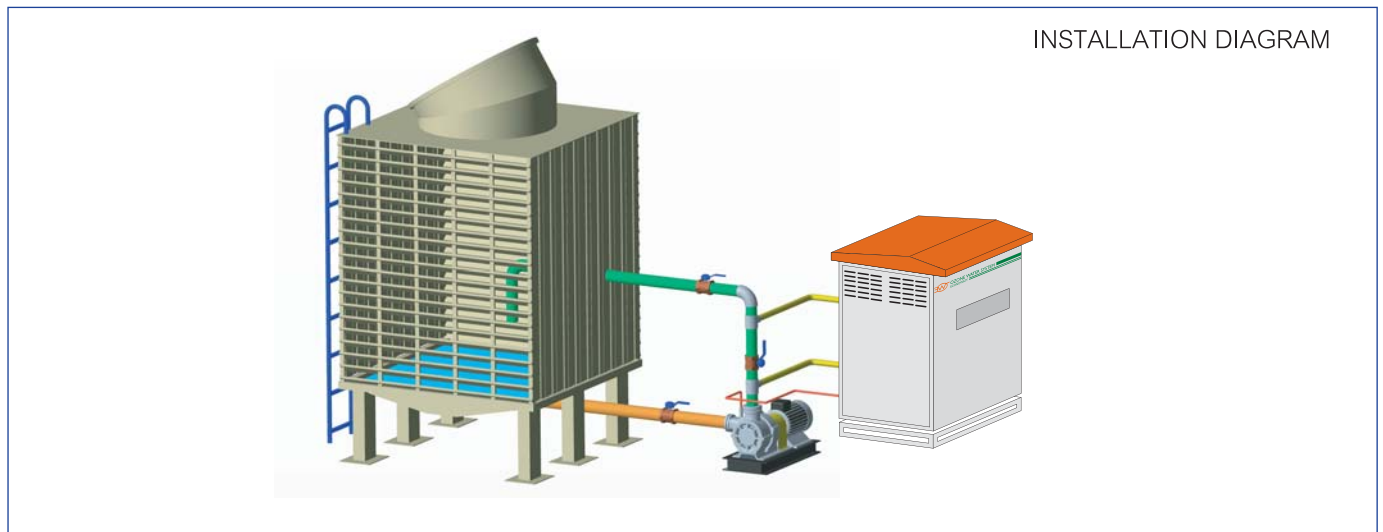


TECHNICAL DATA AND DIMENSION



TECHNICAL DATA						DIMENSIONS				
Model	Option	Product Code Option	Capacity (g/hr)	Rated Voltage (V)	Total Power Consumption	L1 (mm)	W1 (mm)	W2 (mm)	H1 (mm)	Weight (kg.) (Cabinet+Pump)
OZG 1.5 N	Standard IP42	OZGSET1P5G15NPD 00000	1.5	220V 1Ø 50/60Hz	0.97 kW/1.4 kW	650	550	1,200	1,230	130
OZG 5 N	Standard IP42	OZGSET5P0G15NPD 00000	5	220V 1Ø 50/60Hz	1.27 kW/1.7 kW	650	550	1,200	1,230	131
OZG 10 N	Standard IP42	OZGSET100G15NPD 00000	10	220V 1Ø 50/60Hz	1.46 kW/2.0 kW	650	550	1,200	1,230	150
OZG 30 N	Standard IP42	OZGSET300G40NPD 00000	30	3Ø 4w 50/60Hz	3.74 kW/5.6 kW	1,150	950	2,100	1,300	345
OZG 50 N	Standard IP42	OZGSET500G40NPD 00000	50	3Ø 4w 50/60Hz	4.18 kW/6.0 kW	1,150	950	2,100	1,300	345
OZG 30 S	Standard IP42	OZGSET300G50SP 00000	30	3Ø 4w 50/60Hz	7.04 kW/9.4 kW	1,150	950	2,100	1,300	244 + 199
OZG 50 S	Standard IP42	OZGSET500G50SP 00000	50	3Ø 4w 50/60Hz	7.48 kW/9.8 kW	1,150	950	2,100	1,300	244 + 199

Note :

1. The product must be installed by skilled persons. All ineffective results will be caused by none professional installation.
2. Systems are comprised with ozone generator, oxygen generator, ozone mixing pump, monitoring and controller.

